

# DH-PFH610N-H

## 14" Heater Housing



### Features

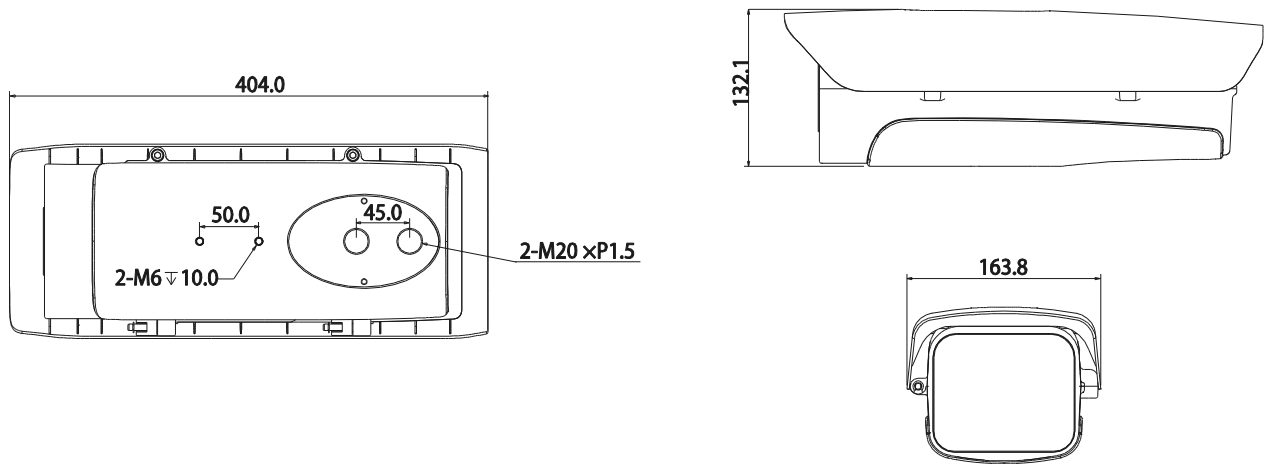
- IP66, Housing
- Water-proof coating film
- Neat & Integrated design

### Specifications

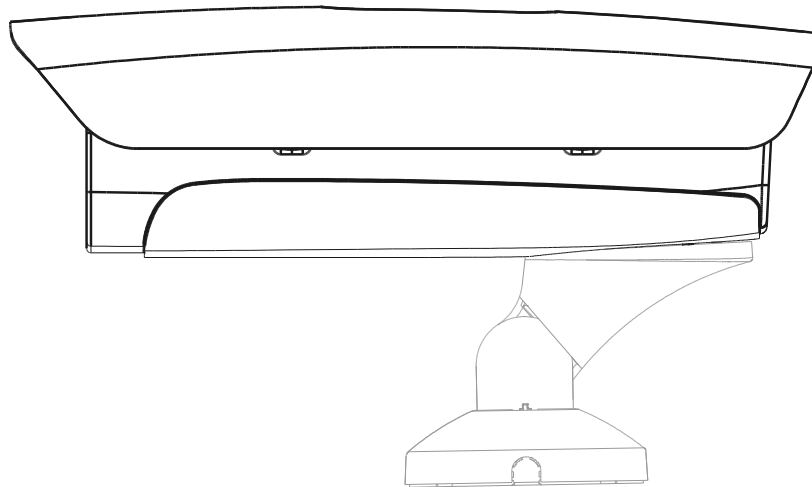
<b>Model</b>	<b>DH-PFH610N-H</b>	
<b>General</b>		
Material	Aluminum(case) & PC(others)	
Product Dimension	404mm(L) x 164mm(W) x 132mm(H)	
Inside Dimension	255mm(L) x 90mm(W) x 83mm(H)	
Window Dimension	100(L) x 80(W)	
Operating Temperature	Set	-40°C ~60°C
	Heater	ON:5±5 °C /OFF: 15±5 °C
	Cooler	ON:37±5 °C /OFF: 20±5 °C ON:5±5 °C /OFF: 15±5 °C
Ingress Protection	IP66	
Humidity	≤90% RH	
IR Distance	N/A	
Wiper	N/A	
Weight	2.4Kg	
Power Supply	AC24V 3A	
Applicable Model	Please see "Accessory Selection"	

# DH-PFH610N-H

## Dimensions (mm)



## Application



### Dahua Technology Co., Ltd.

1199 BinAn Road, Binjiang District, Hangzhou, China

Tel: +86-571-87688883

Fax: +86-571-87688815

Email: [overseas@dahuatech.com](mailto:overseas@dahuatech.com)

[www.dahuasecurity.com](http://www.dahuasecurity.com)

\*Design and specifications are subject to change without notice.

© 2014 Dahua Technology Co., Ltd.